

# Bladder Fitment Form



Please complete for appropriate recommendation

## General

Name	
E-Mail	
Date	

## Tire and Press

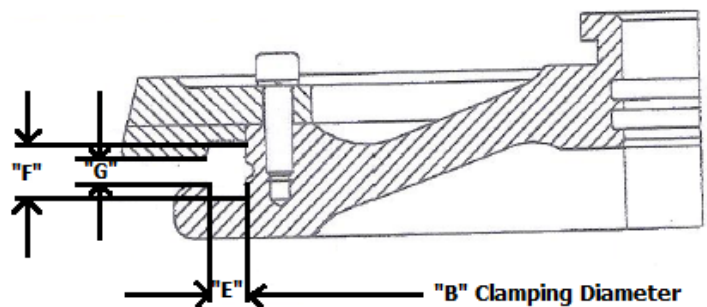
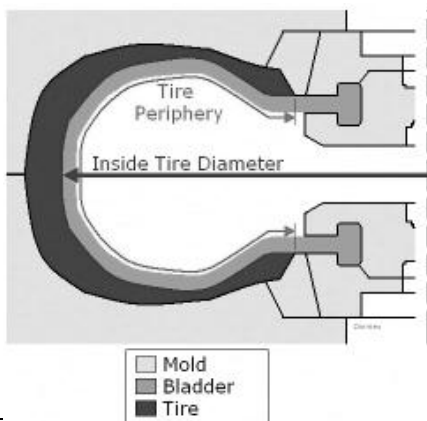
Tire Size Including Rim Diameter	
Inside Tire Toe to Toe Periphery	
Inside Tire Diameter at Center Line	
Press Type	
Clamping Type in the Press (BOM/NAF/Asymmetric)	

## Current Bladder

Name and Code of Supplier	
Foot Inside Diameter (B or B1, B2)	
Foot Height (E or E1, E2)	
Foot Width (F or F1, F2)	

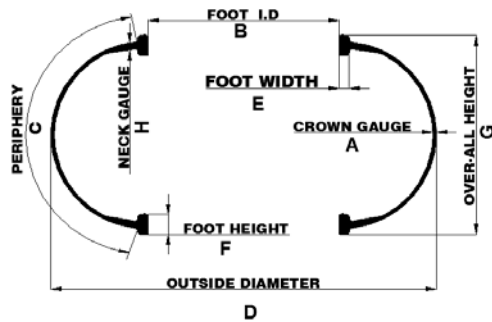
## Clamping (if non symmetrical, complete for upper and lower diameter)

Diameter B	
Dimension E	
Dimension F	
Dimension G	

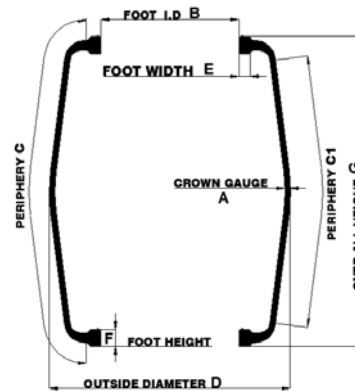


Clamping type in the press

## BOM (Bag O'Matic)

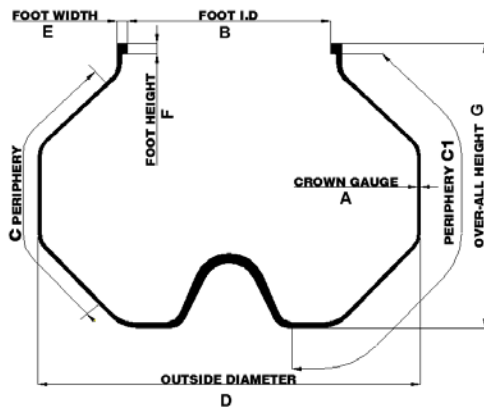


Toroidal (Radial tires)

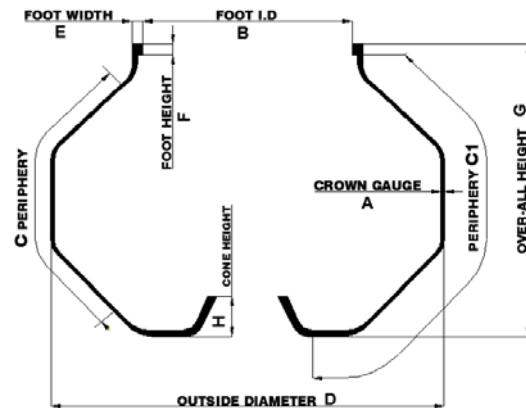


Barrel (Bias Tires)

## National Autoform (NAF) /Bagwell

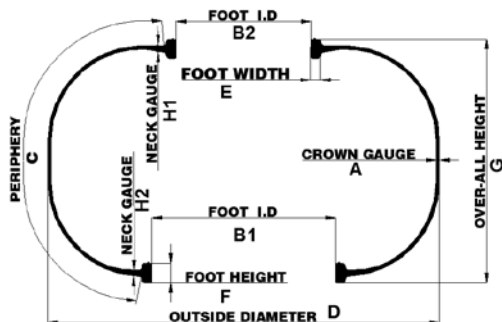


NRM / Closed End

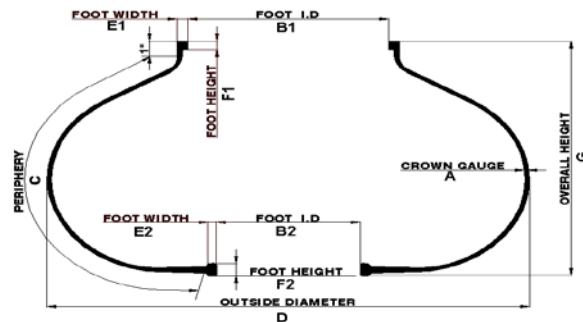


Center Post (Cone removed)

## Asymmetrical clamping



Krupp / Hydraulic



Kobe Bagwell